



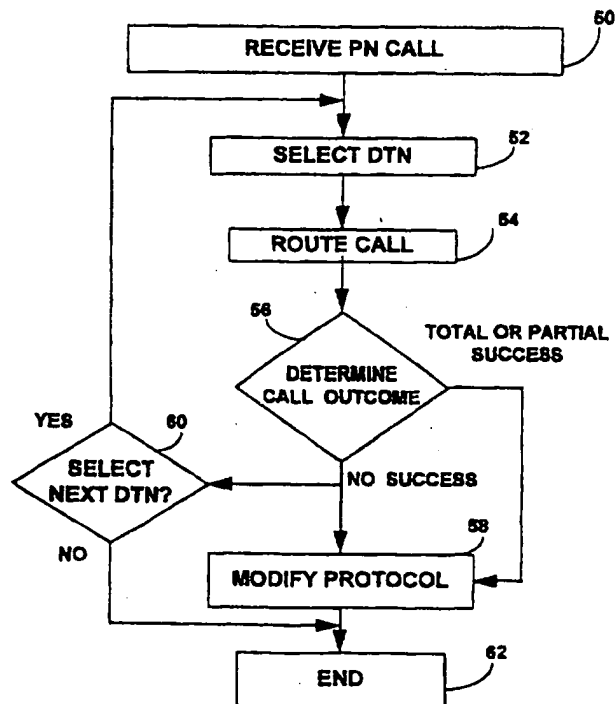
INTERNATIONAL APPLICATION PUBLISHED UNDER THE PATENT COOPERATION TREATY (PCT)

<p>(51) International Patent Classification⁶: H04Q 3/00</p>	<p>A1</p>	<p>(11) International Publication Number: WO 97/37499 (43) International Publication Date: 9 October 1997 (09.10.97)</p>
<p>(21) International Application Number: PCT/GB97/00803 (22) International Filing Date: 21 March 1997 (21.03.97) (30) Priority Data: 96302282.7 29 March 1996 (29.03.96) EP (34) Countries for which the regional or international application was filed: AT et al. (71) Applicant (for all designated States except US): BRITISH TELECOMMUNICATIONS PUBLIC LIMITED COMPANY [GB/GB]; 81 Newgate Street, London EC1A 7AJ (GB). (72) Inventors; and (75) Inventors/Applicants (for US only): AKESTER, Richard, John [GB/GB]; 3 Saddlers Place, Martlesham Heath, Ipswich, Suffolk IP5 7SS (GB). MCDONALD, Paul [GB/GB]; 24A Buregate Road, Felixstowe, Suffolk IP11 8DE (GB). (74) Agent: SEMOS, Robert, Ernest, Vickers; BT Group Legal Services, Intellectual Property Dept., 8th floor, 120 Holborn, London EC1N 2TE (GB).</p>		<p>(81) Designated States: AL, AM, AT, AU, AZ, BA, BB, BG, BR, BY, CA, CH, CN, CU, CZ, DE, DK, EE, ES, FI, GB, GE, GH, HU, IL, IS, JP, KE, KG, KP, KR, KZ, LC, LK, LR, LS, LT, LU, LV, MD, MG, MK, MN, MW, MX, NO, NZ, PL, PT, RO, RU, SD, SE, SG, SI, SK, TJ, TM, TR, TT, UA, UG, US, UZ, VN, YU, ARIPO patent (GH, KE, LS, MW, SD, SZ, UG), Eurasian patent (AM, AZ, BY, KG, KZ, MD, RU, TJ, TM), European patent (AT, BE, CH, DE, DK, ES, FI, FR, GB, GR, IE, IT, LU, MC, NL, PT, SE), OAPI patent (BF, BJ, CF, CG, CI, CM, GA, GN, ML, MR, NE, SN, TD, TG).</p> <p>Published With international search report.</p>

(54) Title: CALL ROUTING

(57) Abstract

A user profile for use, for example in a personal numbering service, has an associated confidence value for each of the destination terminal numbers in the profile, a confidence value representing the confidence of a call being successfully answered at the associated network terminal. When a service using the profile needs to route a call for a user, the corresponding profile is accessed and the call is routed to the destination terminal number having the highest confidence value. The profile is managed to modify the confidence values in dependence upon the outcome of the call, and also upon registration of a personal number user at a network terminal. The confidence values are probabilities and when one value is increased because of a successful outcome, the other values are adjusted. The values can be a function of time to represent lessening confidence that a user is still at the network terminal of his last registration.



FOR THE PURPOSES OF INFORMATION ONLY

Codes used to identify States party to the PCT on the front pages of pamphlets publishing international applications under the PCT.

AL	Albania	ES	Spain	LS	Lesotho	SI	Slovenia
AM	Armenia	FI	Finland	LT	Lithuania	SK	Slovakia
AT	Austria	FR	France	LU	Luxembourg	SN	Senegal
AU	Australia	GA	Gabon	LV	Latvia	SZ	Swaziland
AZ	Azerbaijan	GB	United Kingdom	MC	Monaco	TD	Chad
BA	Bosnia and Herzegovina	GE	Georgia	MD	Republic of Moldova	TG	Togo
BB	Barbados	GH	Ghana	MG	Madagascar	TJ	Tajikistan
BE	Belgium	GN	Guinea	MK	The former Yugoslav Republic of Macedonia	TM	Turkmenistan
BF	Burkina Faso	GR	Greece	ML	Mali	TR	Turkey
BG	Bulgaria	HU	Hungary	MN	Mongolia	TT	Trinidad and Tobago
BJ	Benin	IE	Ireland	MR	Mauritania	UA	Ukraine
BR	Brazil	IL	Israel	MW	Malawi	UG	Uganda
BY	Belarus	IS	Iceland	MX	Mexico	US	United States of America
CA	Canada	IT	Italy	NE	Niger	UZ	Uzbekistan
CF	Central African Republic	JP	Japan	NL	Netherlands	VN	Viet Nam
CG	Congo	KE	Kenya	NO	Norway	YU	Yugoslavia
CH	Switzerland	KG	Kyrgyzstan	NZ	New Zealand	ZW	Zimbabwe
CI	Côte d'Ivoire	KP	Democratic People's Republic of Korea	PL	Poland		
CM	Cameroon	KR	Republic of Korea	PT	Portugal		
CN	China	KZ	Kazakistan	RO	Romania		
CU	Cuba	LC	Saint Lucia	RU	Russian Federation		
CZ	Czech Republic	LI	Liechtenstein	SD	Sudan		
DE	Germany	LK	Sri Lanka	SE	Sweden		
DK	Denmark	LR	Liberia	SG	Singapore		
EE	Estonia						

CALL ROUTING

This invention relates to the routing of calls in communications networks, and particularly, but not exclusively, to a method and a system for managing a user profile for use in a personal number service.

It has been proposed to provide a personal number service in which users of the service (personal number users (PNU's)) have a personal number (PN) and wherein a call made to a PNU by dialling the PN will be routed by the network to the network destination terminal at which the PNU has indicated that he (or she, but conventionally referred to as a male hereinafter) wants to receive his PN calls.

A simple Personal Numbering service known as "CallMe" is provided by VODAFONE GROUP PUBLIC LIMITED COMPANY in which a PNU is given a PN, and it is the PNU's responsibility to register his identity in association with the network terminal at which he wishes to be reached. This is done by the PNU making a call to the CallMe service, entering his PN, a security personal identification number (PIN) and the relevant destination terminal number (DTN), also referred to as the telephone number. This procedure is known as user registration.

Another personal numbering service known as "Personal Assistant" has been announced by Telecom Securicor Cellular Radio Limited, trading as Cellnet. In this service, a PNU has a user-associated profile which is personal to him and by means of answering a questionnaire he can predetermine a number of periods in the day and respective destination terminal numbers to which incoming calls to that user's network terminal are to be diverted by the network. For example, the PNU may have defined his profile for a weekday pattern of 0730 to 0830 Divert to voice messaging service (e.g. Voice-Bank), 0830 to 1830 Accept calls to office telephone number, 1830 to 1930 Divert to voice messaging service, and 1930 to 2100 Accept calls to home telephone number.

When the PNU defines his profile in the CallMe service, he prioritises the destination terminal numbers so that when attempting to locate the PNU the service will try the destination terminal number designated by the PNU for that period, and if the PNU is not found, the service proceeds to try the other destination terminal numbers in the profile in their order of priority.

The Personal Assistant service cannot cope with changes in the PNU's pattern of usage. For example, if the PNU has gone home early, calls will continue to be connected to the office telephone. In order to change the profile, the PNU will have to supply amended details using a questionnaire reply procedure, as
5 before.

According to a first aspect of the present invention there is provided a method of managing a user profile comprising a plurality of destination terminal numbers and for use in a communications network for determining the routing of a call for which a user associated with the profile is one of the parties of said call,
10 the method comprising the steps of :-

storing in the user profile a respective confidence value in association with each of said destination terminal numbers, each respective confidence value representing the confidence of the call being successfully answered at the associated destination terminal; and
15 modifying at least one of said respective confidence values in response to a predetermined call event of a call for which said user is one of the parties of the call.

The confidence values are thus dynamically controlled and follow, in one application, the movement behaviour of a personal number user (the profile in this
20 case being called user-associated), or, in another application, the enquiry behaviour of, say, an account-holding customer of a department store (the profile in this case being calling user-associated).

When the user is a user of a personal number service, preferably the predetermined call event is a call made by the user to the personal number service
25 to provide registration information in connection with a destination terminal number.

Alternatively, the predetermined call event may be the determination of the outcome of a call to a destination terminal number selected from the profile on the basis of the highest confidence value.

30 The outcome determination is preferably the actual or effective answering of the call to the selected destination terminal number.

When the user is a user of a personal number service, the outcome determination may be provided by the user.

Preferably, the outcome determination is provided by the user sending a signal to the network from the network terminal corresponding to the selected destination terminal number.

More preferably, the outcome determination is provided by the user
5 sending a registration signal from the network terminal corresponding to the selected destination terminal number.

The modifying step may comprise increasing the confidence value associated with the selected destination terminal number.

Alternatively or additionally, the modifying step may comprise decreasing
10 the respective confidence values associated with at least one of the destination terminal numbers other than the selected destination terminal number.

The predetermined event may be the abandonment of the call to the selected destination terminal number before answer, and in this case, preferably the modifying step comprises decreasing the respective confidence value
15 associated with the selected destination terminal number.

Alternatively or additionally, the modifying step comprises increasing the respective confidence values associated with at least one of the destination terminal numbers other than the selected destination terminal number.

According to a second aspect of the present invention there is provided a
20 user profile system in or for a communications network for determining the routing of a call for which a user associated with the profile is one of the parties of the call; the system comprising a first storage means for storing a plurality of destination terminal numbers, a second storage means for storing a corresponding plurality of respective associated confidence values representing the confidence of
25 the call being successfully answered at the associated destination terminal, selection means responsive to the occurrence of a call for which the user is one of the parties of the call to select the destination terminal number having the highest confidence value for use by the network in routing the call, and modification means responsive to the occurrence of a predetermined call event of a call for
30 which the user is one of the parties of the call to modify at least one of the respective confidence values.

Where the system is for use in a personal number service provided by the network, preferably the system includes means for detecting a call made by the

user to the personal number service to provide registration information in connection with a destination terminal number and in response to provide a signal to the modification means to indicate the occurrence of the predetermined call event.

5 The system may include call outcome determining means to determine the outcome of a call to the selected destination terminal number, and to provide a corresponding outcome signal to the modification means, the outcome constituting the predetermined call event.

 Preferably, the call outcome determining means is responsive to the actual
10 or effective answering of the call to the selected destination terminal number.

 Preferably, the modification means is arranged to increase the confidence value associated with the selected destination terminal number.

 Alternatively or additionally, the modification means may be arranged to decrease the respective confidence values associated with at least one of the
15 destination terminal numbers other than the selected destination terminal number.

 The call outcome -determining means may be responsive to the abandonment of the call to the selected destination terminal number before answer to provide a corresponding abandonment signal to the modification means.

 Preferably, the modification means is responsive to the abandonment
20 signal to decrease the respective confidence value associated with the selected destination terminal number.

 The modification means may be responsive to the abandonment signal step to increase the respective confidence values associated with at least one of the destination terminal numbers other than the selected destination terminal
25 number.

 Specific embodiments of the present invention will now be described by way of example with reference to the drawings in which:-

 Figure 1 shows a first form of the present invention embodied in a conventional intelligent network;

30 Figure 2 shows the structure of a user subprofile of the embodiment of Figure 1;

 Figure 3 shows a second form of the present invention embodied in customer premises equipment;

Figure 4 shows the structure of a user profile of the embodiment of Figure 3;

Figure 5 shows the method steps of the operation of the embodiment of Figure 1; and

5 Figure 6 shows the method steps of the operation of the embodiment of Figure 3.

In Figure 1 there is shown a conventional intelligent network 10 comprising network terminals 12, service switching points (SSPs) 14, service control points (SCPs) 16 with associated intelligent peripherals (IPs) 18, and a service management system (SMS) 20. In addition, the network 10 includes a specialised database system (SDS) 22 connected to each SCP 16 and to the SMS 20.

In this description, the terms "telephone" and "terminal" are used interchangeably.

15 In accordance with the present invention, the SDS 22 contains respective user profiles 24 for users of a personal numbering service (PNS), and a profile management system (PMS) 26 which will be described in detail later.

When a calling user wishes to make a call to a personal number user (PNU), the call is originated in the conventional manner at one of the network 20 terminals 12, hereinafter referred to as the source terminal, by the calling user requesting service and dialling the personal number (PN) of the desired PNU.

The call request details are received at the associated SSP 14 and routed to its associated SCP 16, which in turn makes a request of the SDS 22 for the current actual destination terminal number (DTN) corresponding to the PN. The 25 PMS 26 in the SDS 22 responds to the request from the SCP 16 to interrogate the user profile corresponding to the received PN, and to determine a DTN for the SDS 22 to pass back to the SCP 16 for completion of the call.

The user profile 24 in Figure 2 comprises forty subprofiles 28 respectively associated with the times 0800, 0815, 0830, etcetera, up to 1745 (only one 30 subprofile 28 being shown for convenience). Each subprofile 28 comprises two sets of stores 30 and 32. In this embodiment each set has five stores (30-1 to 30-5, and 32-1 to 32-5), but more or fewer than this can be used as appropriate.

The contents of stores 30-1 to 30-5 are, respectively, DTN1, DTN2, DTN3, a code representing an unknown location for the PNU, and the NULL value (store 30-5 being unused). The contents of stores 32-1 to 32-5 are, correspondingly, confidence value (CV) 1, CV2, CV3, CV4 and the NULL value. In 5 this example, DTN1 is the PNU's home DTN, DTN2 is the PNU's office DTN, and DTN3 is the PNU's lunch break DTN.

The CVs represent the probability of the call being successful at their DTNs, and hence the sum of the CVs is 1.

The PMS 26 notes the time of day from an internal clock (not shown), 10 selects the corresponding subprofile 28 and then determines the DTN by selecting the store 30 having the highest CV (say CV2) and retrieving the DTN (DTN2) from the associated store 32.

The SDS 202 passes the retrieved DTN2 to the requesting SCP 16, which then commands the associated SSP 14 to route, or connect, the call to DTN2.

15 In a first variant of this embodiment, if the call is answered at the DTN2 terminal the relevant SCP 16 sends a "call answered" signal to the PMS 26 which then deems the call successful, and if the call is not answered within a predetermined timeout the SCP 16 sends a "call not answered" signal to the PMS 26 which then deems the call abandoned and unsuccessful. The PMS 26 also 20 notes the call as abandoned and unsuccessful in the event that it receives from the SCP 16 a "calling user disconnect" signal.

In other variants, the PNU will have a smart card containing his PN details and the network terminals will have a swipe (or insertion) mechanism for reading the card. To accept a call at a destination terminal the PNU will swipe his card and 25 the terminal will send the details back to the PMS 26. Such an acceptance procedure is in principle the same as a registration procedure using the smart card, and verifies the PNU as the person authorised to accept the call.

Instead of using a smart card the PNU can enter the relevant information via the terminal keypad.

30 In more complex variants, the PMS 26 can deem a call partially successful. An example of such a situation is where the call is answered by a person other than the PNU, and that person indicates to the service, by voice or keypress, that any message from the calling user will be given to the PNU.

The PMS 26, upon receipt of the information indicating the outcome of the call, now updates the profile 24 by modifying the relevant subprofile 28. If the outcome was a success, then CV2 is increased by a predetermined amount (Δ), and all the CVs are divided by $(1 + \Delta)$. In this way, the sum of the CVs remains at 5 1, i.e. the subprofile is normalised, and the effect of previous modifications is progressively reduced with each new modification.

If the call was unsuccessful, the PMS 26 will select the next highest CV and send the corresponding DTN to the relevant SCP 16 for another attempt to reach the desired PNU. In response to the first call being unsuccessful, the PMS 26 10 will also modify the profile by decreasing CV2 by the predetermined amount Δ , and dividing all CVs by $(1 + \Delta)$.

The PMS 26 will also modify the profile 24 on receipt of registration information from a PNU. For example, suppose that the PNU is normally at home at 0800, and the subprofile for 0800 has a high CV for the home DTN and low values 15 for all other CVs. Then suppose that the PNU changes routine, is at his office by 0800, and just after 0800 enters the appropriate PN identification information at the office DTN. The PMS 26 will modify the 0800 subprofile 28 by increasing the CV for the office DTN in the same manner as described above for responding to a successful call.

20 The purpose of the unused store 32-5 is to be able to respond when the PNU registers at a DTN not yet recorded in the profile. The PMS 26 will note the time of day of the new registration, select the subprofile 28 which next follows that time, write the new DTN (obtained from the calling line identity (CLI) of the terminal used by the PNU, or entered via the keypad if the PNU wishes to be 25 registered at a terminal different from that which he is using) into store 32-5 of the selected subprofile 28, allocate the corresponding CV (CV5) the initial value of unity, write CV5 into store 30-5 of the selected subprofile 28, and amend CV1 to CV4 to zero, on the ground that at that moment the PMS 26 has 100% confidence of the PNU being at that network terminal. This action of the PMS 26 in making 30 the registration CV unity is not limited to registration at a new network terminal, but can be applied to a registration at a network terminal whose number is already recorded in the profile, instead of increasing the CV by Δ , as described above.

In this embodiment the subprofile has only five pairs of stores 30-n, 32-n, but it will be appreciated that a greater number of such pairs of stores can be provided.

In a variant, after the PMS 26 has increased the store 32 corresponding to
5 the successful call by Δ , it does not normalise by dividing all the CVs by $(1 + \Delta)$, but it decreases each of the other used stores 32 (i.e. not including any unused store) by Δ divided by the number of those other used stores. This technique keeps the sum of the CVs constant, provided that a CV is not allowed to exceed 100% of the sum, and that a CV is not allowed to have a negative value.

10 In other variants, the PMS 26 does not rely on information from the calling user indicating the success or failure of the call (attempt), but refers to an internal set of rules. For example, the first routing to DTN2 may itself be subject to a call diversion (or follow me) instruction set up in the intelligent network, and in this case the corresponding rule provides that if the diverted call is answered then the
15 PNU is deemed to be currently at the diversion DTN, but only with a probability p of less than 1. In one of these variants, the PMS 26 increases the CV associated with the diversion DTN (after making a new entry in the store 30 if this DTN is not already one of the stored DTNs) by the amount Δ times p , and the remaining value $(1 - p)$ times Δ is added to CV4 (the unknown DTN, or location). In another of these
20 variants, instead of assigning all the remaining value to the CV4, it is shared amongst the CVs, not including the CV for the diversion DTN.

In a variant, the PMS 26 does not modify the profile 24 immediately upon receipt of a registration, but records all registrations received up to the time of the next following subprofile, applies to the registrations a weighting function which
25 prefers more recent registrations, and modifies the profile. In an alternative, each new registration overwrites the previous registration so that the profile is modified only in respect of the last received registration.

Whereas in Figure 1 the PMS 26 resides in the SDS 22, it will be appreciated that alternatively the profile management functionality can be provided
30 within the SCP 16, and the profiles 24 can be contained within a service database function associated with the SCP 16 (at a higher hierarchical level in the intelligent network 10). Furthermore, if required, the period covered by the profile can be twenty four hours, and it will be appreciated that the period covered by a

subprofile can be more or less than fifteen minutes depending upon the amount of memory in the SDS 22, and that it is not necessary for all the subprofiles to cover the same period.

In another embodiment of the present invention shown in Figure 3, a
5 private automatic branch exchange (PABX) 34 is connected to a public telecommunications network 36 capable of providing CLI to a destination terminal on call set-up (e.g. an integrated services digital network or the intelligent network of Figure 1) and comprises a set of customer profiles 38 (each customer profile being similar in structure to a subprofile 28 but being source-associated instead of
10 destination-associated), a department profile 39 (similar to a PNU-associated profile 24) and a PMS 40 (similar to PMS 26).

The PABX 34 provides communications for a multiplicity of terminals in various departments of a departmental store 42, hereinafter referred to as shop 42. The terminals of a department are arranged for group pickup.

15 The department profile 39 is associated with an accounts department of shop 42, and its function will be described later.

As shown in Figure 4, each customer profile 38 comprises two sets of stores 44-1 to 44-5 and 46-1 to 46-5 (similar to stores 30 and 32), and a store 47 containing the customer's telephone number. Stores 44-1 to 44-5 contain,
20 respectively, the PABX extension numbers of the accounts department, the sports department, the computer department, the household department, and the switchboard, and stores 46-1 to 46-5 contain associated CVs, CV1 to CV5. In reality, shop 42 would have many more departments, and the stores 44 and 46 would be correspondingly larger, but this description will be limited to the five
25 named departments and it will be appreciated that the PMS 40 and the stores 44 and 46 can readily be modified to handle more departments.

In this embodiment the accounts department is not located at the site of the shop 42 but is located remotely and is a distributed accounts function in which people at a first office work mornings part time and people at a separate office
30 work afternoons part time.

The PMS 40 is connected to an accounts database (AD) 48 of the shop 42, and is arranged to interrogate it at intervals, for example at 2200 each working day.

Suppose that a customer has just bought a computer, and that the customer already has an account with the shop 42. The accounts department will have entered the details of the customer and the purchase into the AD 48, and the next accounting date when the account is to be sent to the customer (let this be
5 one week later than the date of purchase). The PMS 40 detects from an update store of the AD 48 that there is new information relating to a known customer, accesses the profiles in accordance with the customer identity, and modifies the customer's profile in accordance with an internal set of rules.

The PMS 40 increases the CV3 in accordance with a rule which is based
10 on the premise that the customer is likely to be seeking advice concerning the computer (its set-up and operation) in the period immediately after its purchase. The increase is effected by adding a predetermined amount δ_p , and then dividing all CVs by $(1 + \delta_p)$, i.e. a normalising procedure similar to that described for the PNU situation.

15 Each different type of product has a respective δ_p . In the example given of a computer, δ_p would have a high value representing the likelihood that the customer would need assistance in setting up the computer and getting the applications programs to run. For a product not involving any mechanism or electrical/electronic parts, such as a duvet, the value of δ_p would be low
20 representing the likelihood that aftersales assistance would be sought only if the product were faulty and the customer were reporting this to the relevant department. The various values of δ_p for the range of products sold by the shop 42 may be set by the administration function using its own aftersales data or using trade associations' data on product reliability, or may be set in any other suitable
25 manner.

For this example of a computer, suppose that the customer has not made any recent purchases and has not recently been sent an account. Thus, just prior to the purchase of the computer, CV1, CV2, and CV4 will have low values, and CV5 will have a high value, representing the likelihood that the next call from the
30 customer will not be intended for a specific department but will need to be routed to the switchboard and treated as a general enquiry. The value of δ_p will be such that upon modification of the profile by PMS 40, CV3 will now be the highest CV.

Suppose now that the customer has been unsuccessful in setting up the computer or in getting the programs to run, and makes a telephone call to the single published telephone number of the shop 42 in order to seek aftersales assistance from the computer department. The network 36 interacts with the customer's telephone in known manner, obtains the CLI, provided that the customer has not invoked a network privacy function known as "CLI Withheld", and delivers the CLI when connecting the call to the PABX 34.

The PMS 40 responds to receipt of the CLI to access the customer's profile 38 by matching the CLI with the telephone number in store 47, determine that CV3 is the highest CV, read the corresponding store 44-3, and route the call to the computer department telephone group, where it will be answered by one of the assistants in that department.

In variants, the PMS 40 is associated with a data collection function (not shown) for requesting and receiving from the customer the customer's telephone number in the event that the customer's terminal, or the terminal from which the customer is making the call, is not an ISDN terminal capable of providing a CLI to the network. When the PMS 40 recognises that an incoming call from the network does not include a CLI, it invokes an announcement from a speech applications platform (SAP, not shown) of the data collection function to ask the caller to provide his own telephone number if he has an account with the shop 42. The customer can key the number using the keypad, or speak the digits, which will be recognised by the SAP. Upon receipt of data recognised as a telephone number, the data collection facility passes this to the PMS 40 which uses it to locate the relevant customer profile.

In a variant, the customer profile is associated with the customer's account number instead of his telephone number, and the customer will always need to enter his account number.

When the customer's call is answered by the computer department, the assistant will provide assistance as appropriate. If the assistant thinks it very likely that the customer's problem will not be completely solved by the assistance given and that, because he now knows the problem and the advice given, it would be better for the customer to have any further queries dealt with by him, then he may give the customer his extension number so that the customer can call him directly,

should the need arise. In this case, the customer's next call will be routed by the PABX 34 to that assistant's telephone, without invoking operation of the PMS 40. If the assistant does not offer his or any other assistant's extension number, he will provide to the PMS 40 information on his opinion of the outcome (success) of his dealing with the customer's query, expressed as an outcome probability (op). The assistant will key a code including a number selected from 0, 2, 4, 6, 8 and 1, and in this case suppose that he selects the number 2 to represent his high opinion that the customer will call again (i.e. an outcome probability of 0.2, low success).

The PMS 40 will modify the customer's profile by decreasing the CV3 by an amount δ_p times op , and then dividing all the CVs by $(1 - op \cdot \delta_p)$. In a variant, the PMS 40 decreases the CV3 by an amount δ_p times op , and increases all other CVs by $(1 - op)$ times δ_p divided by the number of those other CVs.

In an alternative situation, suppose that the assistant believes that he has successfully dealt with the customer's query and does not expect the customer to need to ring the computer department again. In this case the assistant will enter the code including the number 1 to indicate total success, and the PMS 40 will respond by decreasing the CV3 by δ_p (i.e. reducing CV3 to zero) and dividing all CVs by $(1 - \delta_p)$, or in a variant increasing the other CVs by an equal share of δ_p .

In this example of the computer purchase, the PMS 40 also notes the accounting date, i.e. the date of despatch of the account to the customer, and in accordance with a set of rules for processing CV1s, makes an entry in a diary for 7 day's time followed by thirty daily entries to modify the customer's profile. When the first diary entry matures, the PMS 40 modifies the corresponding profile by increasing the CV1 by an amount δ_a and decreasing the other four CVs by δ_a divided by four. In a variant, the PMS 40 increases CV1 by δ_a and then divides all the CVs by $(1 + \delta_a)$. It will be appreciated that CV1 is not modified before the time at which the customer is expected to receive his account in the ordinary course of the postal service, and the above 7 day delay means that the modification is made after the end of trading on the day of despatch of the account.

As each subsequent diary entry matures, the PMS 40 accesses the corresponding profile and decreases the CV1 by the amount $(CV1 \times k)$, where k is preferably 0.2, but may be any other suitable value. The PMS 40 also divides all CVs by $(1 - CV1 \cdot k)$. In this manner the decreasing CV1 reflects the probability

that if the customer has not made a query concerning his account by that time, then it is becoming less likely that he will do so in the immediate future.

The same principle of decreasing the CV with time can be applied to the other CVs, for example for the computer purchase the CV3 could be decreased
5 from a short time after the purchase date to reflect the likelihood that if the customer has not yet had a problem with the computer, then he will not have a problem thereafter. In the same way, the PMS 26 of the embodiment of Figure 1 can modify the CVs with time, for example this would be useful when a PNU had not registered for a long time and the profile is required to indicate less confidence
10 that he is still at the network terminal of the last registration.

If the customer makes a call to the shop 42 upon receipt of his account to make a query, for example the account may not show a discount offered by the sales assistant, the PMS 40 accesses the customer's profile 38, finds that CV1 has the highest value, and determines that the call must be extended to the
15 accounts department. The PMS 40 now accesses the accounts department profile 39 and its subprofile for the current time of day, finds the highest CV, and connects the call to the corresponding group number. The PMS 40 manages the profile 39 in response to registrations by people at the two separate offices. In other words, although an office would normally be unmanned in, say, the morning,
20 if a person wished to work a morning rather than an afternoon then the PMS 40 manages the corresponding CV to indicate a high confidence that someone is at that office.

In Figure 5, which shows the method steps of the operation of the network 10, and in particular the SDS 22, the network receives call request data
25 relating to a called PNU in step 50, and responds in step 52 by accessing the corresponding profile and selecting the DTN having the highest confidence value. In step 54, the selected DTN is passed to the relevant SCP 16 and the call is routed to the corresponding network terminal.

In step 56, the SDS 22 receives an indication of the call outcome
30 (alternatively, the SDS makes its own determination of the outcome), and if this is "no success" (the desired PNU is not at that network terminal) the SDS 22 proceeds to modify the corresponding profile in step 58 and to check at step 60 whether to proceed to make the next selection. If step 60 determines that no more

attempts are to be made, for example this step may know if any further selections can be made or may allow only a predetermined number of attempts, then the method ends at step 62. If step 60 permits a further selection then the method returns to step 52.

5 If at step 56 the outcome is a total success, for example the PNU answers the call and this information is provided to the SDS 22, then the method proceeds to step 58. If the outcome is partial success, the method also moves from step 56 to step 58, but the modification of the profile reflects the uncertainty that the call, although answered, has reached the desired PNU. If desired, step 56 can have only
10 one type of success determination, i.e. if the call is answered, then it is successful.

In Figure 6, which shows the method steps of the operation of the SDS 35, a customer's call is received in step 64, and the PMS 40 checks in step 66 whether the public network has provided the CLI. If the CLI is present, the
15 respective customer profile is accessed using the CLI and the shop department having the highest confidence value is selected from the profile in step 68. In step 70, the extension number (or group number if the department has more than one extension) is passed to the PABX 34 which routes the incoming call to the selected extension.

20 Upon answering the call, an assistant will first ascertain whether the call has been routed to the department desired by the customer in step 72. If the call has not been routed to the desired department, then in step 74 the assistant will transfer the call.

25 After the call has been routed, or transferred, to the desired department, and the enquiry dealt with, the respective assistant will in step 76 provide a value of outcome probability to the PMS 40 which will then proceed to modify the protocol in step 78 and then end at step 80.

If at step 66 the CLI is not present, the customer is requested to key his telephone number in step 82, and the method then proceeds to step 68.

30 If the selected department has an associated profile, such as profile 39 for the accounts department, then step 70 includes substeps corresponding to steps 52 and 54, and steps 76 and 78 are operative in relation to the profile 39.

The present invention also embraces methods and systems in accordance with the following numbered paragraphs.

1. A method of making a connection, in a communications network, from a calling user at a source terminal to a destination terminal at which the calling user
5 wants to communicate with a particular called user, the method comprising the steps of:-

receiving call request data associated with said particular called user;

in response to receipt of said call request data, selecting a destination terminal
10 number from a plurality of destination terminal numbers in a respective user profile associated with one of said users, each destination terminal number being associated with a respective confidence value representing the confidence of the call being successfully answered at the associated destination terminal, and the selection being on the basis of the highest confidence value;

making a network connection from the source terminal to the selected destination
15 terminal;

and modifying at least one of said respective confidence values in dependence upon the outcome of the call.

2. A method as described in paragraph 1, including the steps of forming the destination terminal numbers in the user profile into a sequence on the basis of
20 descending confidence value;

and, in the event that the call is, or is deemed to be, unsuccessfully answered at said first destination terminal;

taking down the network connection associated with the unsuccessful answer;

and making a further network connection to the next destination terminal number
25 of the sequence.

3. A method as described in paragraph 2, and including repeatedly performing the steps of taking down the network connection and of making a further network connection until the call is deemed successfully answered or until the sequence is exhausted.

30 4. A method as described in any one of paragraphs 1 to 3, wherein said modifying step comprises increasing the confidence value associated with a destination terminal number at which the call is, or is deemed to be, successfully answered.

5. A method as described in any one of paragraphs 1 to 4, wherein, when the call is, or is deemed to be, successfully answered, said modifying step comprises decreasing the respective confidence values associated with at least one of the destination terminal numbers other than said destination terminal number at which the call is, or is deemed to be, answered successfully.

6. A method as described in any one of numbered paragraphs 1 to 4, wherein said modifying step comprises decreasing the respective confidence values associated with at least one of said destination terminal numbers to which a respective network connection is made and at which the call is, or is deemed to be, unsuccessfully answered.

7. A method as described in paragraph 1, wherein the particular called user is a member of one of a plurality of classes of called users associated with a common destination number, said common destination number is associated with a plurality of user profiles each associated with a respective calling user-associated number, the destination numbers in each user profile corresponding to respective ones of said plurality of classes of called users, and said call request data is constituted by said common destination number together with a calling user-associated number, and including the step of selecting a said respective user profile from said plurality of user profiles on the basis of the received calling user-associated number.

8. A method as described in paragraph 7, wherein said communications network is constituted by a private communications network connected to a public communications network, said common destination number identifies the private communications network, and said steps of receiving the calling user-associated number, selecting said respective user profile, and selecting said destination terminal number are all performed within the private communications network.

9. A method as described in paragraph 8, wherein said destination terminal numbers in said user profiles identify respective terminals or respective groups of terminals of the private communications network.

10. A method as described in paragraph 7, wherein said communications network provides a virtual private communications network facility, said common destination number identifies said virtual private communications network facility, and said destination terminal numbers in said user profiles identify respective terminals or respective groups of terminals of said communications network.

11. A method as described in any one of paragraphs 7 to 10, wherein said modifying step comprises decreasing the confidence value associated with a destination terminal number at which the call is, or is deemed to be, answered successfully.
- 5 12. A method as described in paragraph 1, wherein one of the destination terminal numbers of the user profile is associated with a default facility in which the call is answered on behalf of said particular called user.
13. A method as described in paragraph 12, wherein said modifying step comprises, upon selection of said one of the destination terminal numbers
10 associated with the default facility, decreasing the confidence value associated therewith.
14. A method as described in any one of paragraphs 1 to 13, wherein said confidence values are probabilities and their sum is unity.
15. A method as described in any one of paragraphs 1 to 13, wherein said
15 confidence values are probabilities and the sum of the confidence values of the destination terminal numbers of said user profile is less than unity and the deficit confidence value represents the probability of the call not being successfully answered at any of the destination terminal numbers of said user profile.
16. A call routing control system for use in a communications network
20 comprising network terminals, switching means and switch control means for controlling the switching means to connect a call from a calling user at a source terminal to a destination terminal at which the calling user wants to communicate with a particular called user, the call routing control system comprising:-
means for storing a plurality of user-associated profiles each containing a plurality
25 of destination terminal numbers with respective confidence values representing the confidence of the call being successfully answered at the associated destination terminal; and
profile management means responsive to receipt of call request data associated with said particular called user for accessing a profile associated with one of said
30 users, for selecting the destination terminal number having the highest confidence value and sending the selected destination terminal number to the switch control means for use in making a network connection from the source terminal to the

selected destination terminal, and for modifying at least one of said respective confidence values in dependence upon the outcome of the call.

17. A system as described in paragraph 16, wherein the profile management means is arranged to determine the outcome of the call, and, in the event that the
5 call is, or is deemed to be, unsuccessfully answered at said first destination terminal, to select from said accessed profile the destination terminal number having the next highest confidence value, to send this next selected destination terminal number to the switch control means, and to command the switch control means to take down the network connection associated with the unsuccessful
10 answer and to make a network connection to said next selected destination terminal number.

18. A system as described in paragraph 17, wherein the profile management means is arranged repeatedly to make a further selection from said accessed profile and to command the switch control means to take down the network
15 connection and to make a connection to said further selected destination terminal number until it deems the call to be successfully answered or until the profile has no more destination terminal numbers.

19. A system as described in any one of paragraphs 16 to 18, wherein the profile management means is arranged to increase the confidence value associated
20 with a destination terminal number at which the call is, or is deemed to be, successfully answered.

20. A system as described in any one of paragraphs 16 to 18, wherein the profile management means is arranged, when it determines said outcome to be that the call is, or is deemed to be, successfully answered, to decrease the
25 respective confidence values associated with at least one of the terminal numbers other than said destination terminal number at which the call is, or is deemed to be, answered successfully.

21. A system as described in any one of paragraphs 16 to 18, wherein the profile management means is arranged to decrease the respective confidence
30 values associated with at least one of said destination terminal numbers to which a respective network connection is made and at which the call is, or is deemed to be, unsuccessfully answered.

22. A system as described in paragraph 16, wherein at least a group of the profiles is associated with a common destination number, each profile of said group is associated with a respective calling user-associated number and the destination numbers in each profile of said group corresponding to respective ones
5 of a plurality of classes of called users, the particular called user being a member of one of said plurality of classes of called users; and wherein the profile management means is arranged to respond to call request data constituted by said common destination number together with a calling user-associated number to select a said respective user profile from said group of profiles on the basis of the
10 received calling user-associated number.

23. A system as described in paragraph 22, in or for a private communications network constituting said communications network and being connected to a public communications network and identified by said common destination number, and wherein said profile management means is arranged to receive from said public
15 communications network a calling line identity signal constituting said calling user-associated number.

24. A system as described in paragraph 22, in or for a private communications network constituting said communications network and being connected to a public communications network and identified by said common destination number,
20 and wherein said profile management means is arranged, in the absence of receipt from said public communications network of a calling line identity signal, to play an announcement to the source terminal and to receive digits provided by the calling user and constituting said calling user-associated number.

25. A system as described in paragraph 16, in or for a public communications
25 network constituting said communications network and providing a virtual private communications network facility, said common destination number identifying said virtual private communications network facility, and said destination terminal numbers in said profiles identifying respective terminals or respective groups of terminals of said public communications network.

30 26. A system as described in any one of paragraphs 16 to 25, wherein said profile management means is arranged to decrease the confidence value associated with a destination terminal number at which the call is, or is deemed to be, answered successfully.

27. A system as described in any one of paragraphs 16 to 26, and further comprising a default facility for answering the call on behalf of said particular called user, and wherein one of the destination terminal numbers of the profile is associated with said default facility.
- 5 28. A system as described in paragraph 27, wherein said profile management means is arranged, upon selection of said one of the destination terminal numbers associated with the default facility, to decrease the confidence value associated therewith.

CLAIMS

1. A method of managing a user profile comprising a plurality of destination terminal numbers and for use in a communications network for determining the routing of a call for which a user associated with the profile is one of the parties of said call, the method comprising the steps of :-
- 5 storing in the user profile a respective confidence value in association with each of said destination terminal numbers, each respective confidence value representing the confidence of the call being successfully answered at the associated destination terminal; and
- 10 modifying at least one of said respective confidence values in response to a predetermined call event of a call for which said user is one of the parties of the call.
- 15 2. A method as claimed in claim 1, wherein said user is a user of a personal number service, and the predetermined call event is a call made by said user to the personal number service to provide registration information in connection with a destination terminal number.
- 20 3. A method as claimed in claim 1, wherein said predetermined call event is the determination of the outcome of a call to a destination terminal number selected from said profile on the basis of the highest confidence value.
4. A method as claimed in claim 3, wherein said outcome determination is the actual or effective answering of said call to said selected destination terminal number.
- 25 5. A method as claimed in claim 3, wherein said user is a user of a personal number service, and wherein said outcome determination is provided by said user.
- 30 6. A method as claimed in claim 5, wherein said outcome determination is provided by said user sending a signal to the network from the network terminal corresponding to said selected destination terminal number.

7. A method as claimed in claim 6, wherein said outcome determination is provided by said user sending a registration signal from the network terminal corresponding to said selected destination terminal number.
- 5
8. A method as claimed in any one of claims 4 to 7, wherein said modifying step comprises increasing the confidence value associated with said selected destination terminal number.
- 10 9. A method as claimed in any one of claims 4 to 8, wherein said modifying step comprises decreasing the respective confidence values associated with at least one of the destination terminal numbers other than said selected destination terminal number.
- 15 10. A method as claimed in claim 1, wherein said predetermined event is the abandonment of said call to said selected destination terminal number before answer.
11. A method as claimed in claim 10, wherein said modifying step comprises
20 decreasing the respective confidence value associated with said selected destination terminal number.
12. A method as claimed in either claim 10 or claim 11, wherein said
25 modifying step comprises increasing the respective confidence values associated with at least one of the destination terminal numbers other than said selected destination terminal number.
13. A user profile system in or for a communications network for determining
30 the routing of a call for which a user associated with the profile is one of the parties of said call; the system comprising a first storage means for storing a plurality of destination terminal numbers, a second storage means for storing a corresponding plurality of respective associated confidence values representing the confidence of the call being successfully answered at the associated destination

terminal, selection means responsive to the occurrence of a call for which said user is one of the parties of the call to select the destination terminal number having the highest confidence value for use by the network in routing said call, and modification means responsive to the occurrence of a predetermined call event of a
5 call for which said user is one of the parties of the call to modify at least one of said respective confidence values.

14. A system as claimed in claim 13, for use in a personal number service provided by the network, and including means for detecting a call made by said
10 user to the personal number service to provide registration information in connection with a destination terminal number and in response to provide a signal to said modification means to indicate the occurrence of said predetermined call event.

15 15. A system as claimed in claim 13, including call outcome determining means to determine the outcome of a call to said selected destination terminal number, and to provide a corresponding outcome signal to said modification means, said outcome constituting said predetermined call event.

20 16. A system as claimed in claim 15, wherein said call outcome determining means is responsive to the actual or effective answering of said call to said selected destination terminal number.

17. A system as claimed in claim 16, wherein said modification means is
25 arranged to increase the confidence value associated with said selected destination terminal number.

18. A system as claimed in either claim 16 or claim 17, wherein said modification means is arranged to decrease the respective confidence values
30 associated with at least one of the destination terminal numbers other than said selected destination terminal number.

19. A system as claimed in claim 15, wherein said call outcome determining means is responsive to the abandonment of said call to said selected destination terminal number before answer to provide a corresponding abandonment signal to said modification means.

5

20. A system as claimed in claim 19, wherein said modification means is responsive to said abandonment signal to decrease the respective confidence value associated with said selected destination terminal number.

10 21. A system as claimed in either claim 19 or claim 20, wherein said modification means is responsive to said abandonment signal step to increase the respective confidence values associated with at least one of the destination terminal numbers other than said selected destination terminal number.

1/6

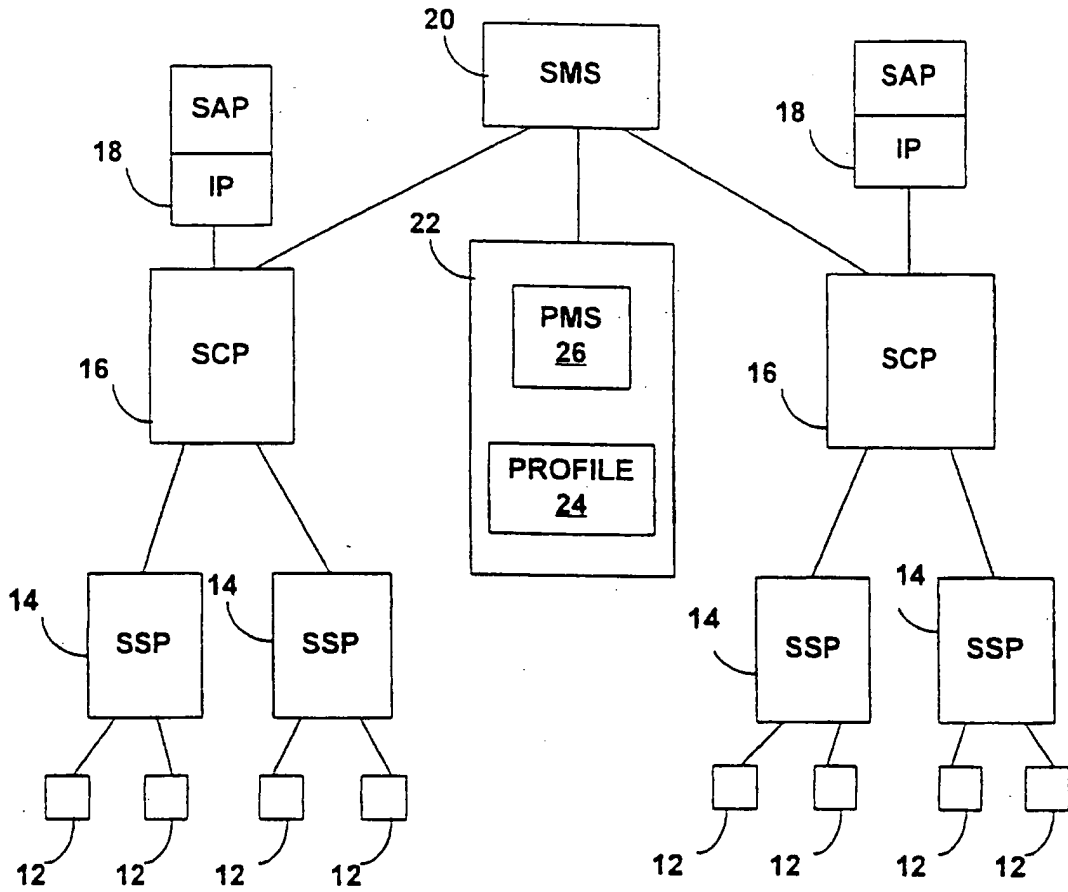


FIGURE 1

2/6

30-1	30-2	30-3	30-4	30-5
DTN1	DTN2	DTN3	UNKNOWN	NULL
CV1	CV2	CV3	CV4	NULL
32-1	32-2	32-3	32-4	32-5

FIGURE 2

3/6

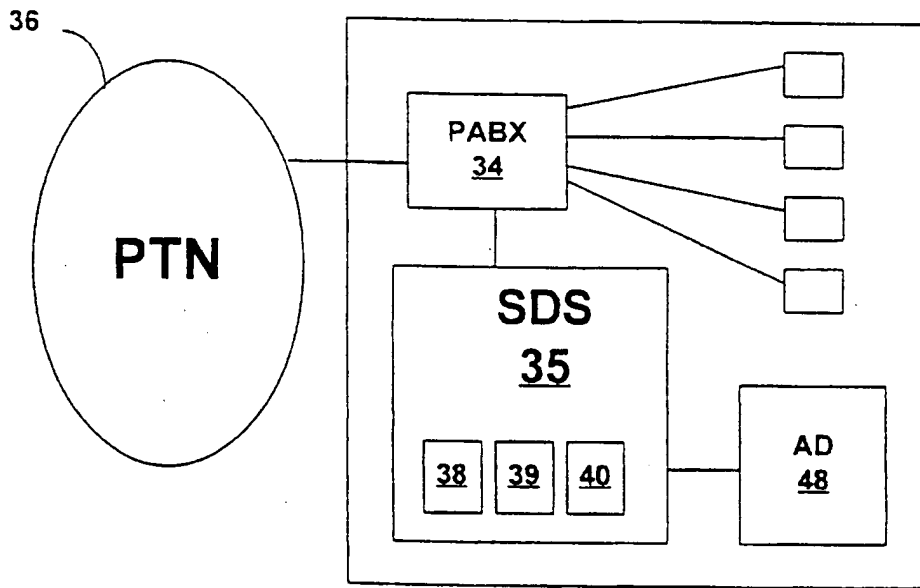


FIGURE 3

4/6

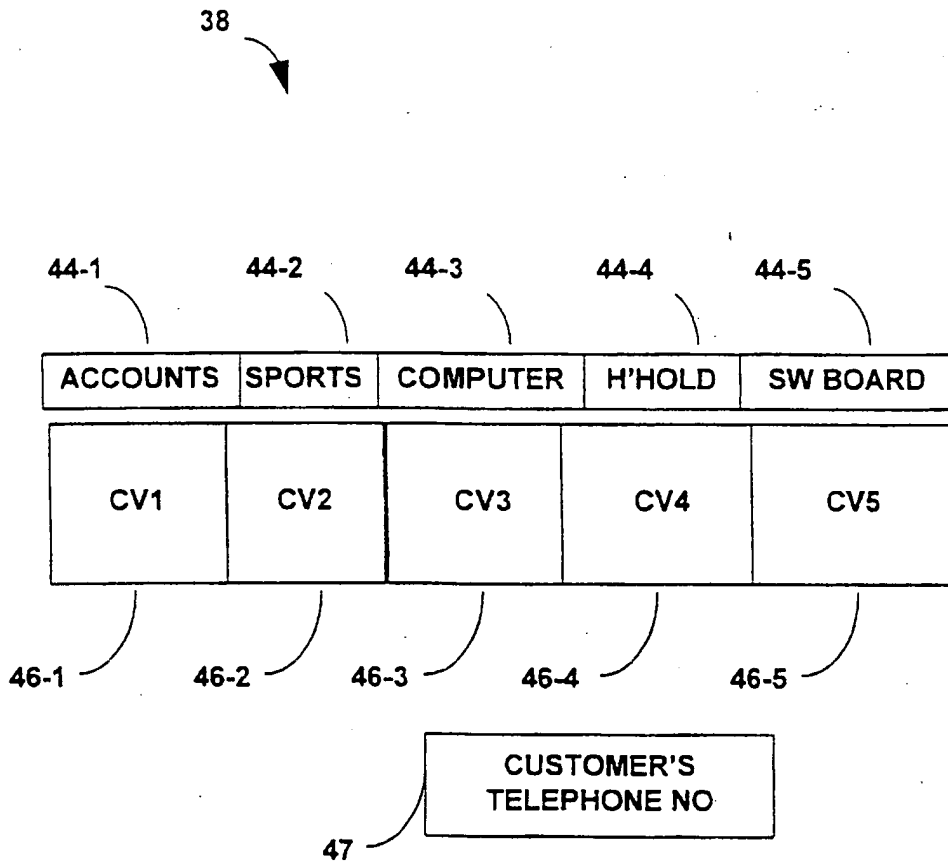


FIGURE 4

5/6

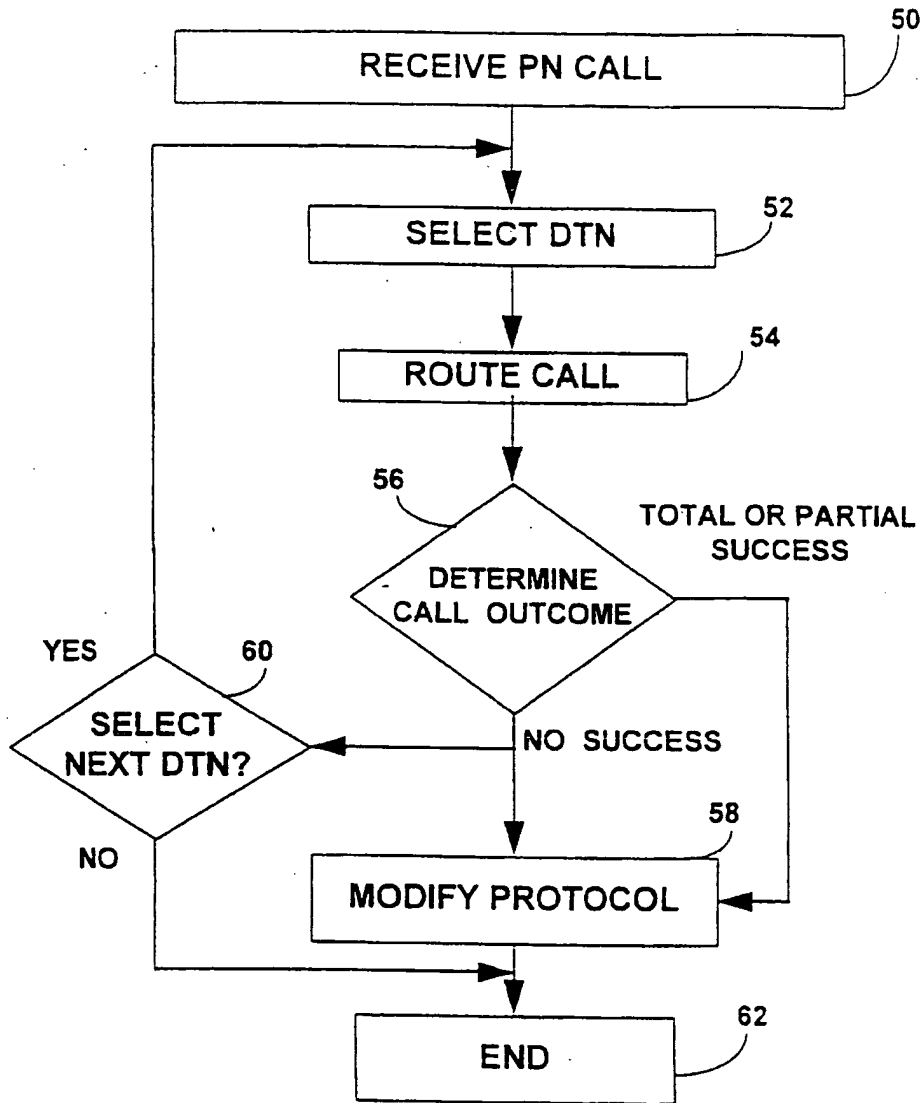


FIGURE 5

6/6

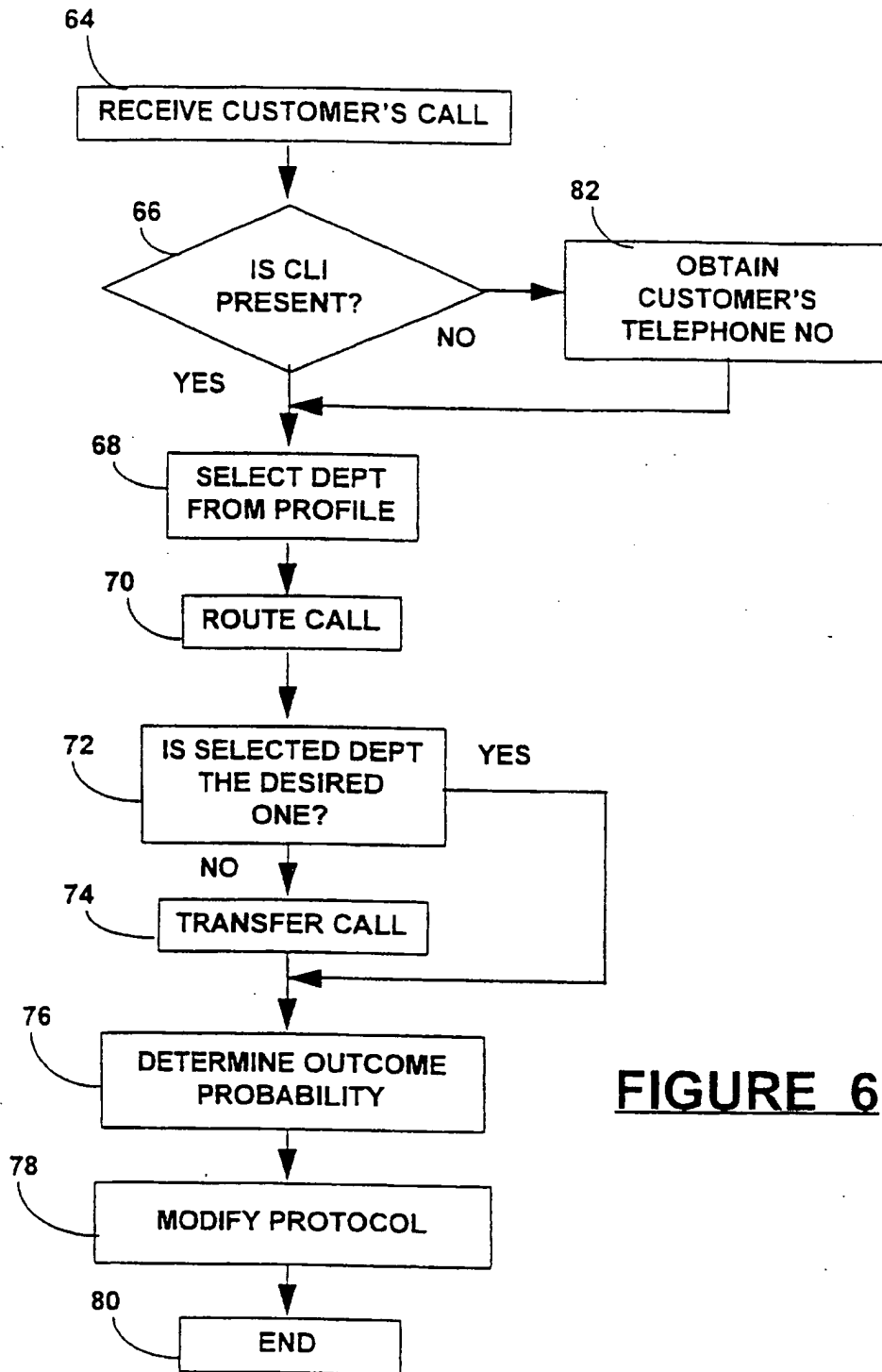


FIGURE 6

INTERNATIONAL SEARCH REPORT

International Application No
PC1/GB 97/00803

A. CLASSIFICATION OF SUBJECT MATTER IPC 6 H04Q3/00				
According to International Patent Classification (IPC) or to both national classification and IPC				
B. FIELDS SEARCHED				
Minimum documentation searched (classification system followed by classification symbols) IPC 6 H04Q H04M				
Documentation searched other than minimum documentation to the extent that such documents are included in the fields searched				
Electronic data base consulted during the international search (name of data base and, where practical, search terms used)				
C. DOCUMENTS CONSIDERED TO BE RELEVANT				
Category*	Citation of document, with indication, where appropriate, of the relevant passages	Relevant to claim No.		
A	EP 0 484 067 A (AMERICAN TELEPHONE & TELEGRAPH) 6 May 1992 see abstract see page 2, line 35 - line 57 ---	1-7, 13-16		
A	DE 44 20 462 A (ALCATEL SEL) 14 December 1995 see abstract; claims 1-3 ---	1-7, 13-16		
A	WO 92 09164 A (UNIFI COMMUNICATIONS CORPORATION) 29 May 1992 see abstract see page 2, line 32 - page 4, line 2 ---	1,3,4, 10,13, 15,16,19		
A	EP 0 637 159 A (AT&T CORP.) 1 February 1995 see page 4, line 8 - page 5, line 36 ---	1,3,4, 13,15,16		
-/--				
<input checked="" type="checkbox"/> Further documents are listed in the continuation of box C.				
<input checked="" type="checkbox"/> Patent family members are listed in annex.				
* Special categories of cited documents :				
<table style="width: 100%; border: none;"> <tr> <td style="width: 50%; vertical-align: top; padding: 5px;"> *A* document defining the general state of the art which is not considered to be of particular relevance *E* earlier document but published on or after the international filing date *L* document which may throw doubts on priority claim(s) or which is cited to establish the publication date of another citation or other special reason (as specified) *O* document referring to an oral disclosure, use, exhibition or other means *P* document published prior to the international filing date but later than the priority date claimed </td> <td style="width: 50%; vertical-align: top; padding: 5px;"> *T* later document published after the international filing date or priority date and not in conflict with the application but cited to understand the principle or theory underlying the invention *X* document of particular relevance; the claimed invention cannot be considered novel or cannot be considered to involve an inventive step when the document is taken alone *Y* document of particular relevance; the claimed invention cannot be considered to involve an inventive step when the document is combined with one or more other such documents, such combination being obvious to a person skilled in the art. *&* document member of the same patent family </td> </tr> </table>			*A* document defining the general state of the art which is not considered to be of particular relevance *E* earlier document but published on or after the international filing date *L* document which may throw doubts on priority claim(s) or which is cited to establish the publication date of another citation or other special reason (as specified) *O* document referring to an oral disclosure, use, exhibition or other means *P* document published prior to the international filing date but later than the priority date claimed	*T* later document published after the international filing date or priority date and not in conflict with the application but cited to understand the principle or theory underlying the invention *X* document of particular relevance; the claimed invention cannot be considered novel or cannot be considered to involve an inventive step when the document is taken alone *Y* document of particular relevance; the claimed invention cannot be considered to involve an inventive step when the document is combined with one or more other such documents, such combination being obvious to a person skilled in the art. *&* document member of the same patent family
A document defining the general state of the art which is not considered to be of particular relevance *E* earlier document but published on or after the international filing date *L* document which may throw doubts on priority claim(s) or which is cited to establish the publication date of another citation or other special reason (as specified) *O* document referring to an oral disclosure, use, exhibition or other means *P* document published prior to the international filing date but later than the priority date claimed	*T* later document published after the international filing date or priority date and not in conflict with the application but cited to understand the principle or theory underlying the invention *X* document of particular relevance; the claimed invention cannot be considered novel or cannot be considered to involve an inventive step when the document is taken alone *Y* document of particular relevance; the claimed invention cannot be considered to involve an inventive step when the document is combined with one or more other such documents, such combination being obvious to a person skilled in the art. *&* document member of the same patent family			
Date of the actual completion of the international search	Date of mailing of the international search report			
4 June 1997	16.06.97			
Name and mailing address of the ISA European Patent Office, P.B. 5818 Patentlaan 2 NL - 2280 HV Rijswijk Tel. (+ 31-70) 340-2040, Tx. 31 651 epo nl, Fax (+ 31-70) 340-3016	Authorized officer Lambley, S			

INTERNATIONAL SEARCH REPORT

International Application No
PCT/GB 97/00803

C.(Continuation) DOCUMENTS CONSIDERED TO BE RELEVANT		
Category	Citation of document, with indication, where appropriate, of the relevant passages	Relevant to claim No.
A	<p>INTERNATIONAL SWITCHING SYMPOSIUM, vol. 1, 24 April 1995, BERLIN DE, pages 114-118, XP000495548 TABANNE ET AL.: "An intelligent location tracking method for personal and terminal FPLMTS/UMTS communications" see page 116, left-hand column, paragraph 2 - page 117, left-hand column, line 17 -----</p>	<p>1,3,13, 15</p>

INTERNATIONAL SEARCH REPORT

Information on patent family members

International Application No

PCT/GB 97/00803

Patent document cited in search report	Publication date	Patent family member(s)	Publication date
EP 484067 A	06-05-92	US 5243645 A CA 2050691 A, C JP 4267664 A	07-09-93 02-05-92 24-09-92
DE 4420462 A	14-12-95	AU 2791695 A CA 2169379 A WO 9534985 A EP 0713626 A JP 9502072 T	05-01-96 21-12-95 21-12-95 29-05-96 25-02-97
WO 9209164 A	29-05-92	AU 9063891 A CA 2095916 A EP 0670094 A US 5299260 A	11-06-92 21-05-92 06-09-95 29-03-94
EP 637159 A	01-02-95	US 5487111 A AU 677841 B AU 6488194 A BR 9402891 A CA 2123348 A CN 1104011 A JP 7154490 A	23-01-96 08-05-97 09-02-95 11-04-95 30-01-95 21-06-95 16-06-95